



SPECIAL REPORT

Zooming Ahead: Car Electronics

Rush of Electronics in Cars Drives Market Expansion _____ **18**

Aluminum Electrolytic Capacitors Rev Up for Car Use _____ **20**

Rohm Crafts Extremely Reliable Power Management ICs for Cars _____ **22**

High-Density Mounting

Gains in Density Transform Mounting, Profile of Chips _____ **25**

Dense Mounting Offers Alternate Design Schemes for Parts _____ **26**

Updates on Chip Packages Stress Wafer-Level, COC Approach _____ **28**

TECHNOLOGY FOCUS

Murata Shrinks Further Isolator to Fit Today's Mobile Phones _____ **30**

Murata's SAW Devices Match Requirements for In-Vehicle Systems _____ **33**

TEST AND MEASUREMENTS

Historical Overview

Innovation Drives Instruments Shift From Simple to Complex _____ **36**

Yokogawa Electric Refines Performance of New Waveform Recorder _____ **39**

IN FOCUS

Innovative Design of i-PULSE Checkers Eases Inspection Process _____ **40**

CORPORATE CLOSE UP

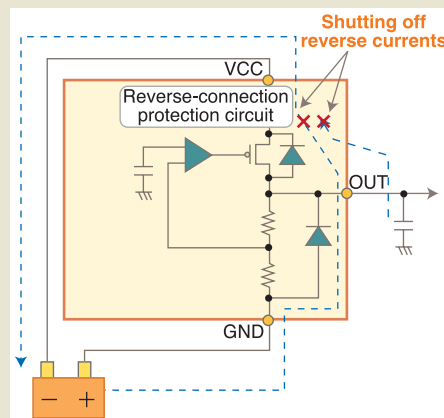
Welding Strength in SAW Development, EPCOS Rises to Challenges _____ **41**

SHOW REPORT

Sunny Outlook for 3G, Wireless Broadband as Asia Pacific Warms Up _____ **51**

Showcase of Products Tells Stories of Convergence, Integration _____ **53**

October Show Will Focus on Power of Digital Convergence to Change Society _____ **56**



Battery reverse-connection protection circuit (page 22)

DEPARTMENTS

	AEI News	8
	Techwatch	14
	Business Strategy	42 – 44
	Company on the Move	45 – 50
	Product News	58

ASIA ELECTRONICS INDUSTRY (ISSN 1342-422X) is published monthly by Dempa Publications, Inc., 1-11-15 Higashi Gotanda, Shinagawa-ku, Tokyo 141-8715, Japan Tel: +81-3-3445-6111 Fax: +81-3-3447-4666. Editorial e-mail: aei@info.com.ph.; Subscription e-mail: circmnl@pltdsl.net. The magazine is distributed free to qualified subscribers in ASEAN countries (Thailand, Indonesia, The Philippines, Malaysia, Singapore, Brunei, Vietnam, Myanmar, Cambodia and Laos), as well as Korea, Taiwan and Hong Kong.

Paid air mail subscription is available to non-qualified subscribers in the Asian and Pacific regions for US\$150 per year and US\$260 for two years. For other areas, air mail subscription fees are US\$160 per year and US\$280 for two years. Paid subscription is accepted at <http://aei.dempa.net/paidsub/subscription.html>

Send address corrections to Dempa Publications, Inc., c/o G3 Worldwide Mail (HK) Ltd. Unit 3-6, G/F Pacific Trade Centre, 2 Kai Hing Road, Kowloon Bay, Kowloon, Hong Kong

President & Publisher: Tetsuo Hirayama

Copyright © 2006 by Dempa Publications, Inc.

New York: Dempa Publications, Inc., 275 Madison Ave., New York, NY, 10016-1101, U.S.A., Tel: +1-212-682-3755 Fax: +1-212-682-2730 **Hong Kong:** Dempa Asia Advertising Hong Kong, Ltd., Room 2201J, 22/F, Nan Fung Centre, 264-298 Castle Peak Road, Tsuen Wan, Hong Kong, Tel: +852-2892-0013 Fax: +852-2574-4588 **Taiwan:** International Dempa Trade Co., Ltd., 7F-1, No. 36, Nanking W. Rd., Taipei, Taiwan, Tel: +886-2-2558-1817 Fax: +886-2-2555-6428 **Korea:** Dempa Publications, Seoul Office, Masters Tower, Room 1404, 553 Dohwa-dong, Mapo-ku, Seoul, Korea, 121-040, Tel: +82-2-714-2983 Fax: +82-2-714-2984, Sinsegi Media Inc., Choongmoo Bldg. Room 1102, 44-13, Yoido-dong, Youngdungpo-gu, Seoul, Korea, 150-890, Tel: +82-2-785-8222 Fax: 82-2-785-8225 **Philippines:** Dempa Asia Philippines, Inc., Herrera Tower, Room 2510, 98 V.A. Rufino Street, Salcedo Village, Makati City, Philippines, Tel: +63-2-845-0906 Fax: +63-2-845-1829

All rights reserved. The contents of this magazine may not be reproduced in whole or in part without the prior permission of the copyright owner. Printed in Hong Kong.