



TECHNOLOGY FOCUS

Daishinku Updates Give Crystal Oscillator Lead Role in Mobilecom _____ **18**
 Murata Prescribes Three-Terminal Capacitor as Antidote to Noise _____ **22**
 Components Add New Dimensions in Sophistication to Mobile Phones _____ **28**
 Rohm's Tiny, Speedy IrDA Modules Boost Mobile Phone Performance _____ **29**
 New Structure Gives Yokowo's Flat Spring Connectors Tiny Profile _____ **32**

IAFA: 5TH ANNIVERSARY

IAFA Speakers Urge Value Creation, Mix of Technology, Strategy _____ **33**
 Syntax-Brilliant Outlines Careful Strategy for Building Brand _____ **34**

Keynotes

TI: Even in Low-End Devices, Users Want Full Feature Sets _____ **35**
 Digital Convergence Redefines Value Creation, Says Philips _____ **36**
 Digital Future Hinges on Semiconductors, Says Renesas _____ **37**
 Seagate Sees Storage as Enabler for Consumer-Centered Design _____ **38**

Technology Session

Track 1: Mobility
 Emerging Standards Intrigue Mediabolic For Enhanced Mobility at Home _____ **39**
 Avago Focuses on Rich Image Quality for Today's Thin Digital Devices _____ **39**
 Philips' UMA Offers Alternative Access to Seamless Mobile Services _____ **40**
 SH-Mobile Technology Propels Renesas' Business Goals _____ **40**

Track 2: Digital Home

Polymer Fibers Adapt Flexibly to Infineon's Network Vision _____ **41**
 SD Association Cards Offer Future Multimedia Room to Grow _____ **41**
 HDMI Guards Silicon Image's Content Delivery Amid Viewing Revolution _____ **42**
 iKonvergenz's Pre-Certified DTV Solutions Meet Challenge of TV Diversity _____ **42**

Track 3: Car Infotainment

Renesas Sees Powerful Processors Driving Car Electronics of Tomorrow _____ **43**
 Future Navigation Units To Stress Further Safety, Convenience, Says Nissan _____ **43**
 Automotive Engineers Must Prepare for Tough Requirements, Murata Predicts _____ **44**
 Car Safety Comes First With Gracenote Music Management Solutions _____ **44**

CORPORATE CLOSE-UP

ON Semiconductor Gains Strength on Power Solutions' Portfolio _____ **50**
 SMK Relies on Innovative Touch Panel Systems to Drive Sales Further _____ **51**
 Niigata Seimitsu Taps Tiny Transceiver for Bigger Market Share _____ **52**

IN FOCUS

Matsushita Designs Novel VCSEL, Employs Surface Plasmon Mirrors _____ **54**
 Reflective TFT Color LCD From Alps Solves Outdoor Visibility Problems _____ **56**

ASIA ELECTRONICS INDUSTRY (ISSN 1342-422X) is published monthly by Dempa Publications, Inc., 1-11-15 Higashi Gotanda, Shinagawa-ku, Tokyo 141-8715, Japan Tel: +81-3-3445-6111 Fax: +81-3-3447-4666. Editorial e-mail: aei@info.com.ph.; Subscription e-mail: circmnl@pltdsl.net. The magazine is distributed free to qualified subscribers in ASEAN countries (Thailand, Indonesia, The Philippines, Malaysia, Singapore, Brunei, Vietnam, Myanmar, Cambodia and Laos), as well as Korea, Taiwan and Hong Kong.

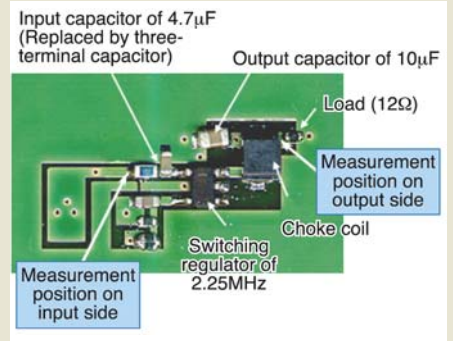
Paid air mail subscription is available to non-qualified subscribers in the Asian and Pacific regions for US\$150 per year and US\$260 for two years. For other areas, air mail subscription fees are US\$160 per year and US\$280 for two years. Paid subscription is accepted at <http://aei.dempa.net/paidsub/subscription.html>

Send address corrections to Dempa Publications, Inc., c/o G3 Worldwide Mail (HK) Ltd. Unit 3-6, G/F Pacific Trade Centre, 2 Kai Hing Road, Kowloon Bay, Kowloon, Hong Kong

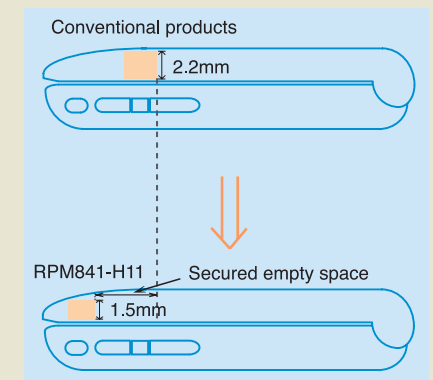
President & Publisher: Tetsuo Hirayama

Copyright © 2006 by Dempa Publications, Inc.

All rights reserved. The contents of this magazine may not be reproduced in whole or in part without the prior permission of the copyright owner. Printed in Hong Kong.



Evaluation circuit (page 22)



Size comparison of compact IrDA (page 31)

DEPARTMENTS

	AEI News	8
	Techwatch	14
	Business Strategy	45-46, 48-49
	Company on the Move	53
	Product News	58

New York: Dempa Publications, Inc., 275 Madison Ave., New York, NY, 10016-1101, U.S.A., Tel: +1-212-682-3755 Fax: +1-212-682-2730 **Hong Kong:** Dempa Asia Advertising Hong Kong, Ltd., Room 2201J, 22/F, Nan Fung Centre, 264-298 Castle Peak Road, Tsuen Wan, Hong Kong, Tel: +852-2892-0013 Fax: +852-2574-4588 **Taiwan:** International Dempa Trade Co., Ltd., 7F-1, No. 36, Nanking W. Rd., Taipei, Taiwan, Tel: +886-2-2558-1817 Fax: +886-2-2555-6428 **Korea:** Dempa Publications, Seoul Office, Masters Tower, Room 1404, 553 Dohwa-dong, Mapo-ku, Seoul, Korea, 121-040, Tel: +82-2-714-2983 Fax: +82-2-714-2984, Sinsegi Media Inc., Choongmoo Bldg. Room 1102, 44-13, Yoido-dong, Youngdungpo-gu, Seoul, Korea, 150-890, Tel: +82-2-785-8222 Fax: 82-2-785-8225 **Philippines:** Dempa Asia Philippines, Inc., Herrera Tower, Room 2510, 98 V.A. Rufino Street, Salcedo Village, Makati City, Philippines, Tel: +63-2-845-0906 Fax: +63-2-845-1829